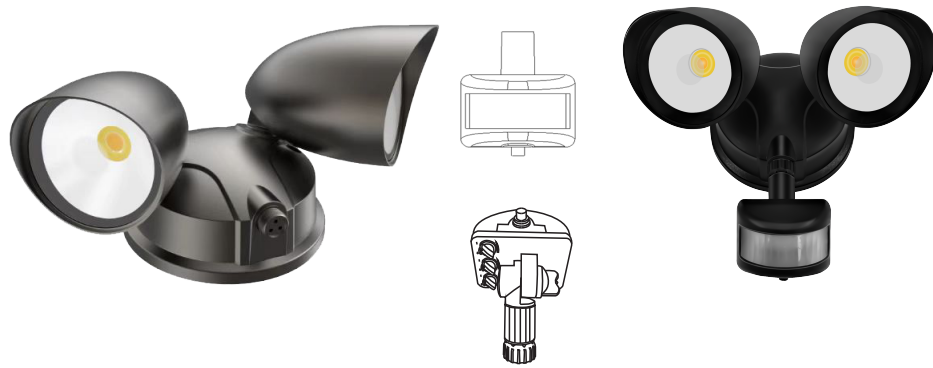


# OUTDOOR

## Wall-E 28W LED Twin Spot Wall Light, Standard and PIR sensor, CCT selectable 3000K, 4000K, 5000K, IP54 White and Black Housing With the Functions of D2D, and Manual switch PIR sensor

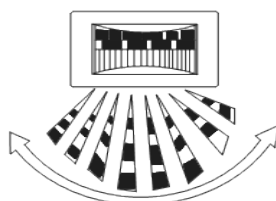
These great looking outdoor LED spot lights provide both energy efficiency and security, available in both Black & White. Quicker & Easier fit off with separate deeper base with a push in connection style. Available in Standard or with built in PIR which has adjustable sensitivity, hold time & lux settings for different environmental conditions.



Product Code:	STANDARD WALL-E-28W	PIR WALL-E-28WS
Total Power(W)	28W	28W
Max light output(lm)	2950lm	2950lm
Beam Angle(D)	90°	90°
CCT	3KK 4KK 5KK	3KK 4KK 5KK
CRI	85RA	85RA
Rated Life(hrs)	30000hrs	30000hrs
Warranty	3 years	3 years
Ingress Protection	IP54	IP54
Operating Temperature	-20°---45°	-20°---45°
Operating Voltage	AC220-240V	AC220-240V
Dimensions (mm)	165x125x145	165x200x145

## Sensor Knowledge

The sensor is an energy-saving automatic switch, that is using integrated circuits, precision detection elements and SMD technology. It has stable performance, can recognize day and night, automatic work. When someone enters the infrared sensor sensing range, the special sensor detects changes in the infrared spectrum of the human body, and the switch automatically switches on the load. When the person leaves or there is no action in the sensing area, the load is automatically turned off.



### Features:

- \* 3cct-3000k,4000k&5000k
- \* Quick Connecting Base/Fitting
- \* IP54-Fitting & PIR sensor
- \* Manual Switch (PIR sensor)

### Applications:

- \* Garages & Workshops
- \* Patio & Deck areas
- \* Garden & driveway paths
- \* Sign Illumination

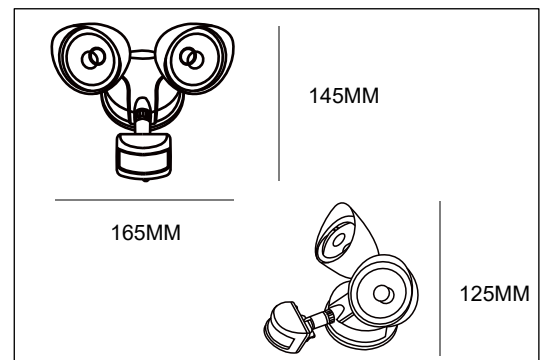
### Construction:

- \* Aluminum light body
- \* Polycarbonate lens and glass covers.

### PIR Settings:

- \* Time Duration 10s to 10min
- \* Lux Adjustment range 10 – 2000 Lux
- \* Mounting Height range 1.5m to 3m
- \* Detection Angle 160 degrees
- \* Sensor Detection range 10m

## DIMENSIONS



## Sensor Detection Range

