



## RECESSED CEILING FRAME (metric) - S9704

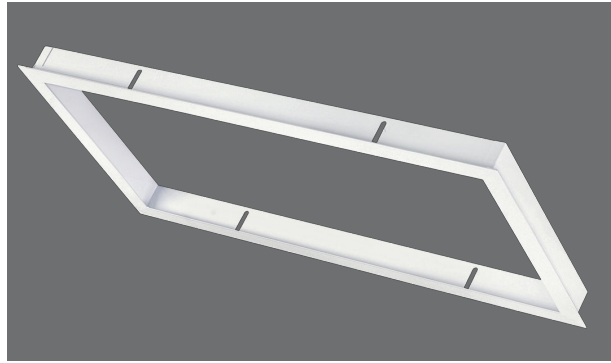
LED panel installation type recessed ceiling frame

### Application

Designed for commercial office interior spaces

### Design Specifications

- Pressed steel base designed for (metric sizes)
- Quality white powder coated finish
- S9704/214FRAME = S9754/306 range, S9784/306 range
- S9704/414FRAME = S9754/606 range, S9784/606 range
- S9704/228FRAME = S9754/312 range, S9784/312 range
- S9704/328FRAME = S9754/612 range, S9784/612 range

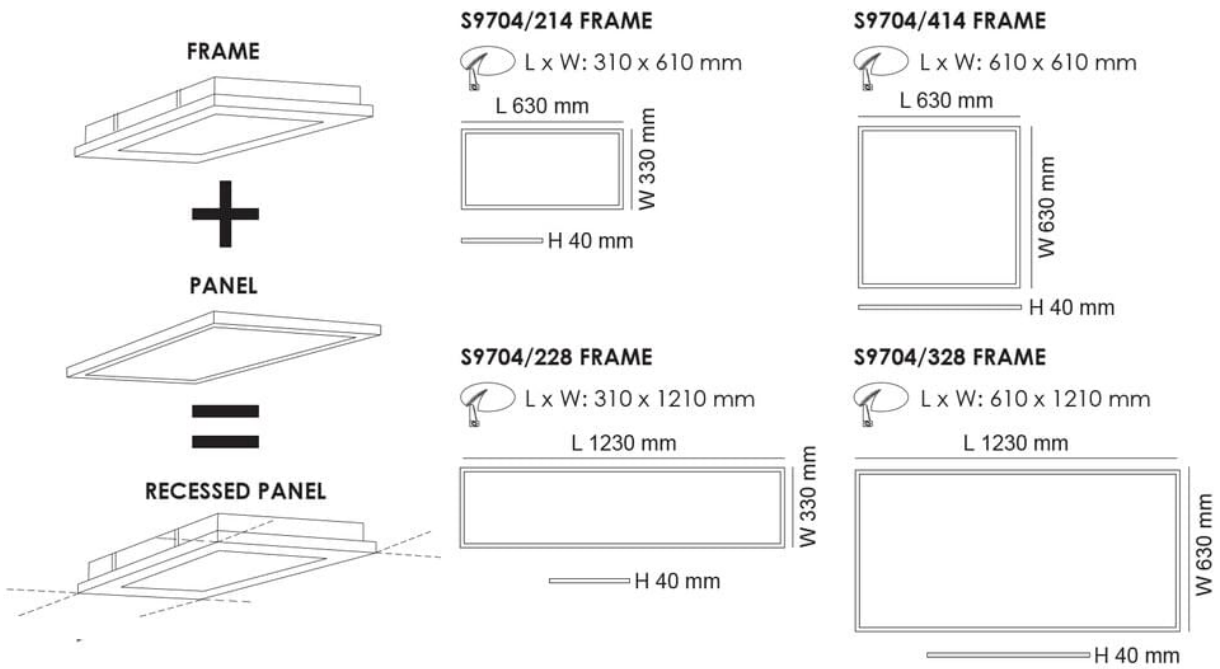


### Technical Specification

Product	Model No.	Body Colour	Mass (kg)
	<b>S9704/214FRAME</b>	WHITE	1.1
	<b>S9704/414FRAME</b>	WHITE	
	<b>S9704/228FRAME</b>	WHITE	
	<b>S9704/328FRAME</b>	WHITE	

Due to continued product and technology enhancements, data sourced from sal.net.au shall not form part of any contract and or technical performance guarantee unless expressly confirmed in writing by SAL at the time of order. Products are sold in accordance with [SAL Terms and Conditions of sale](#) and all images shown are for illustration purposes only and may vary from the actual colour or finish. Unless specifically stated, all IP ratings nominated for Interior products are from "below the ceiling".

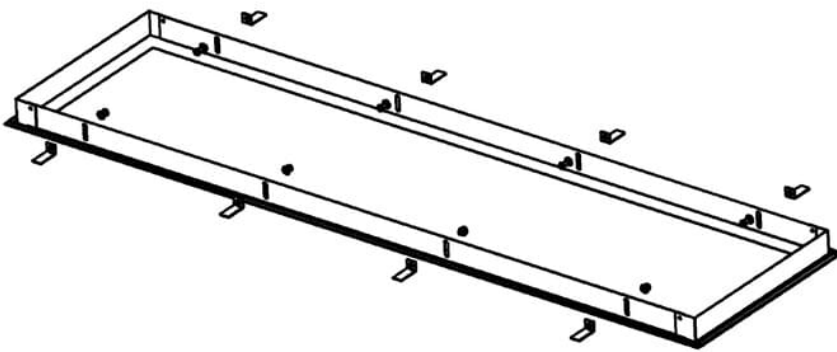
### Dimensions



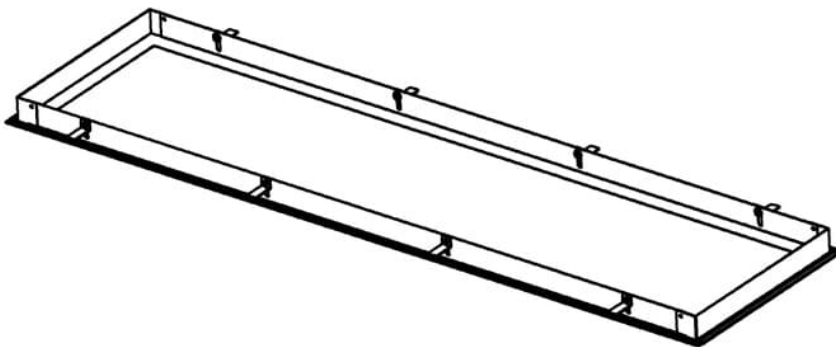
**Assembly instructions** - SAL S9704 recessed plaster frame series designed for the SAL Panel range, for installation by a licensed electrician, issue June 23

**Step 1** - cut plaster ceiling hole, refer SAL model number for cut-out measurements

**Step 2** - unpack the frame components and insert all of the frame ceiling tabs provided facing outwards from the frame and loosely fasten the tabs screws, allowing for adjustment.

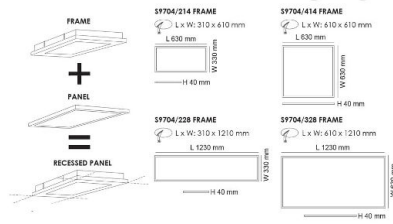
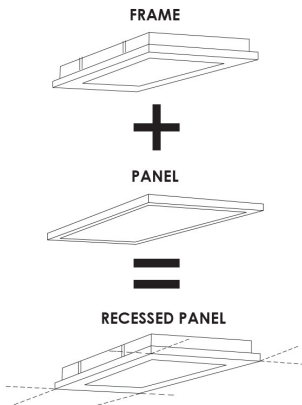


**Step 3** - insert the frame into the plaster ceiling cavity, adjust and fasten the frame ceiling tabs firmly against the ceiling, holding the frame securely against the ceiling





## Product Images



SCAN ME

**SAL YouTube  
PRODUCT GUIDES,  
MORE INFORMATION,  
EASY TO FIND**