



## STARPAD II SE7071TC2 - 15/100W

15/100 watt IP65 LED floodlight with selectable CCT

### Application

A versatile floodlight solution for residential and commercial exterior spaces

### Design Specifications

- Robust die-cast aluminium body, IK 07 rated
- Durable black powder coated finish
- Textured, tempered glass front cover
- High efficiency LED optics, CRI >80, selectable CCT 3000K/4000K/5000K
- Non-dimmable LED driver, high performance aluminium reflector, beam distribution 110°
- Nickel plated copper cable gland with 600 mm 3 core rubber flex (15-30 watt models), 800mm for (50-100 watt models)



### Performance

- Dimmable - **NO**

### Technical Specification

Model No.	Input Voltage (V/AC)	Power (W)	Lumens (lm)	CCT (K)	CRI	Beam Angle (°)
SE7071/15TC2BK	240	15	1575/1800/1650	3000/4000/5000	80	110
SE7071/30TC2BK	240	30	3150/3600/3300	3000/4000/5000	80	110
SE7071/50TC2BK	240	50	5250/6000/5500	3000/4000/5000	80	110
SE7071/100TC2/BK	240	100	10500/12000/11000	3000/4000/5000	80	110

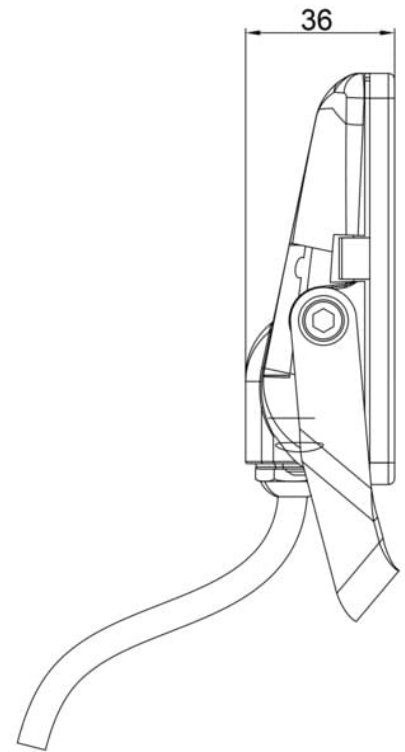
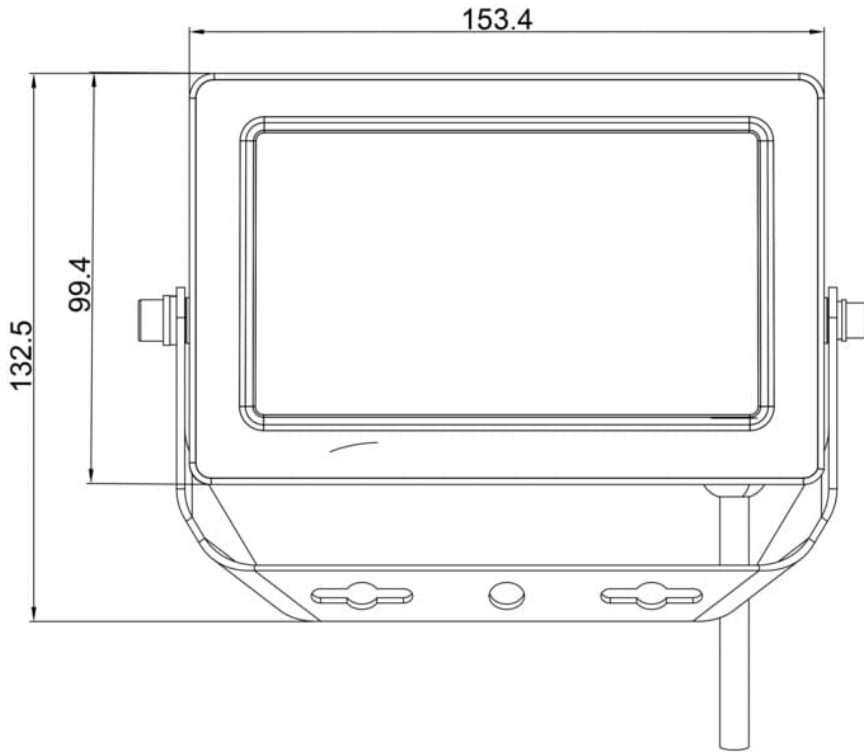
Body Colour	Dim (mm)	Mass (kg)
BLACK	153(W) x 99(H) x 36(D)	0.54
BLACK	207(W) x 135(H) x 36(D)	0.84
BLACK	261(W) x 171(H) x 39(D)	1.25
BLACK	343(W) x 200(H) x 42(D)	2.45

NOTE: dimensions listed exclude trunnion assembly, refer to DIMENSION drawings for details.

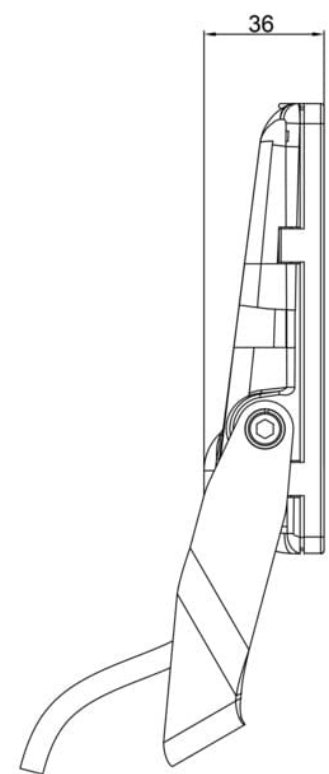
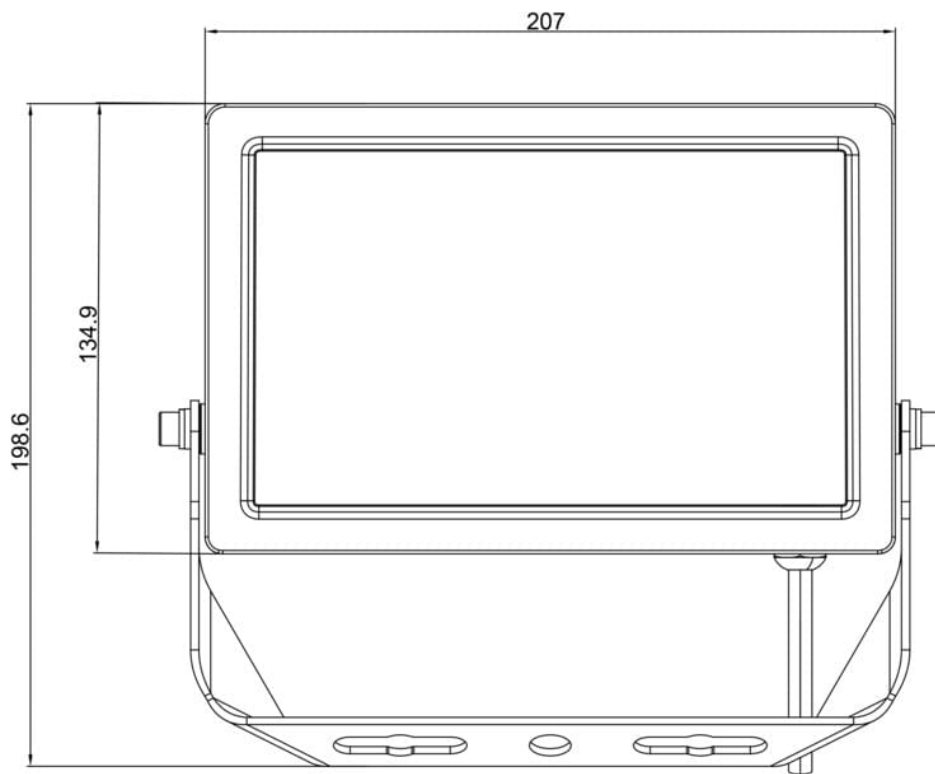
Due to continued product and technology enhancements, data sourced from sal.net.au shall not form part of any contract and or technical performance guarantee unless expressly confirmed in writing by SAL at the time of order. Products are sold in accordance with [SAL Terms and Conditions of sale](#) and all images shown are for illustration purposes only and may vary from the actual colour or finish. Unless specifically stated, all IP ratings nominated for Interior products are from "below the ceiling".

### Dimensions

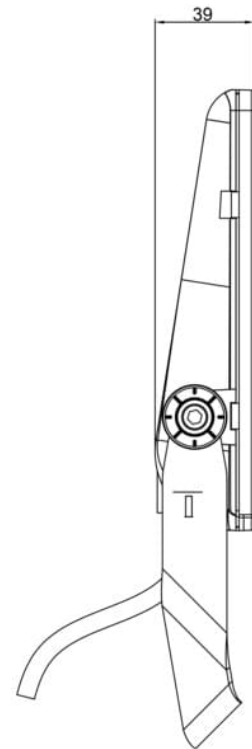
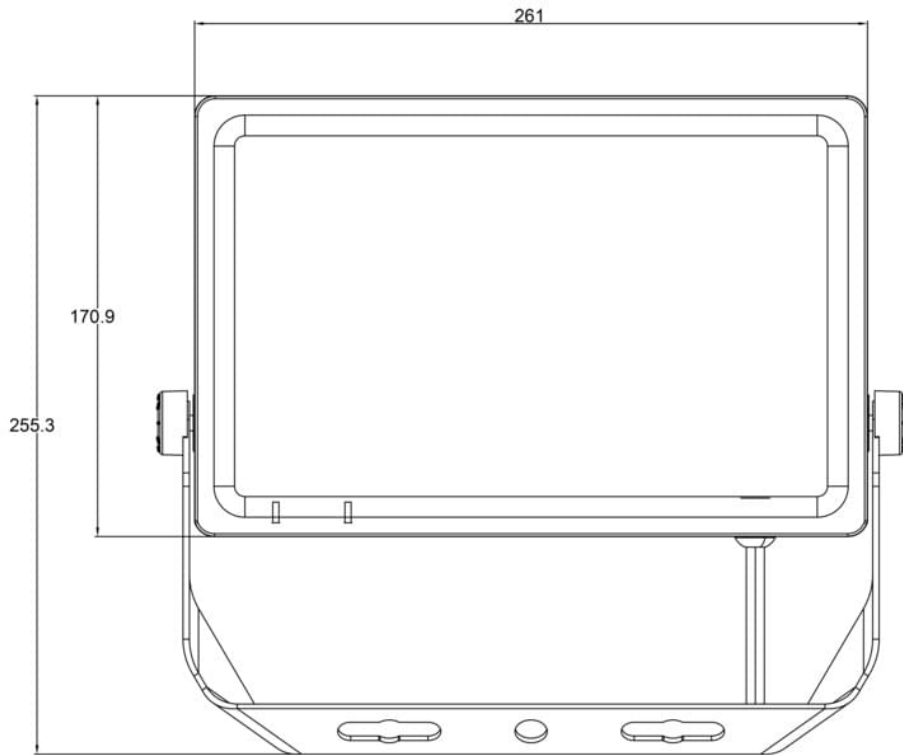
SE7071-15TC



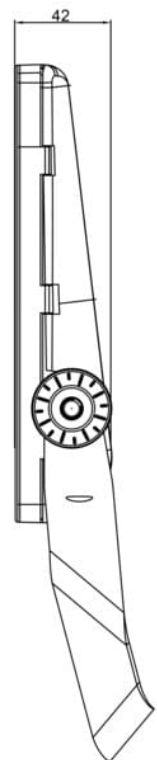
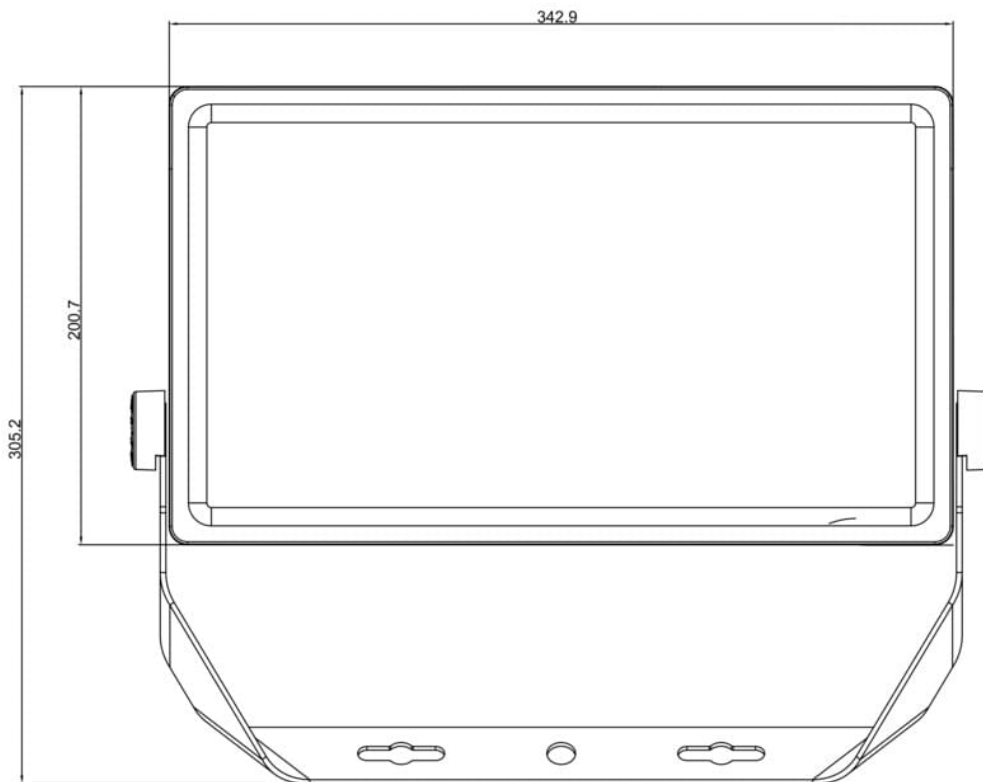
SE7071-30TC



SE7071-50TC



SE7071-100TC



## Product Images

