



SMART WiFi DROPLET INDOOR CAMERA

Detachable wide angle lens camera



WiFi
NO HUB REQUIRED

Works with
IFTTT



Small in size but with a large wide angled view to see what's happening in your home. Use the magnetic base to sit anywhere or tuck it away in a discreet location.

Full high definition resolution 1080P (FHD) camera 2.0 megapixel camera, including night vision infra-red detection.

See more with the wide angled fisheye lens.

3 levels of motion detection low, medium and high to customise the sensitivity. Sends a notification to your phone/tablet.

Sound detection to activate camera giving you an extra level of security.

Two-Way audio. Allows you to speak and listen through the BrilliantSmart app no matter of your location provided you have an internet connection.

Manually record live video direct to your phone through the BrilliantSmart app.

MicroSD memory card slot – 128Gb max. Recording is motion activated if SD card installed (card not included). Can also set device to non-stop recording via the app.

Access recordings from anywhere with your smartphone. Recorded SD card footage is encrypted and can only be viewed through your private account on the BrilliantSmart app

Compatible with BrilliantSmart devices via automation & IFTTT.

APPLICATIONS

- Smart security for every home
- Use as a baby monitor, nanny-cam or keep an eye on your pets.
- Create in app automation and schedules.



Magnetic camera mount



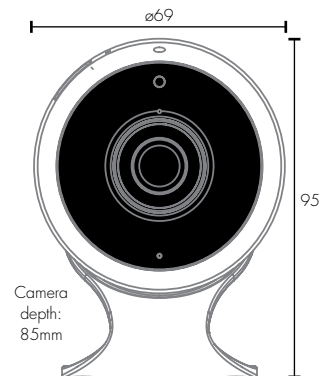
SMART WiFi DROPLET INDOOR CAMERA

TECHNICAL SPECIFICATIONS

| | |
|-------------------------------|---|
| Camera type: | Full High Definition, 2-megapixel Fish-eye wide angle lens |
| Video resolution: | 1080P (1980 x 1080 pixels), 25fps |
| Audio: | Two-way audio |
| Field of view: | 140 degree fish-eye wide viewing angle |
| Motion detection: | 3-Level PIR motion sensing (Low/Medium/High) |
| PIR distance: | Up to 4m |
| Sound detection: | Push notification to device |
| Night vision: | 3 x infrared LED's |
| Night vision distance: | Up to 5 metres |
| Ingress protection: | IP20 rated (Indoor only) |
| Memory: | Micro SD Class 10 (128GB max, not included), rolling |
| Power source: | 1 x USB to micro-USB cable and 220-240V adapter |
| Supported power: | 220-240V 50Hz DC5.0V / 1000mA |
| LED Indicator: | Blue (network connected and online) |
| Operating temperature: | 5°C to 35°C |
| Warranty: | 1 year replacement |
| WiFi Info: | Works with 2.4GHz WiFi frequency only IEEE802.11b/g/n, 2.4GHz Mac Encryption; WEP/WAPI/TKIP/AES |
| Device Requirements: | iOS 8.0 or higher, Android 4.1 or higher |

INSTALLATION

Do-it-Yourself installation



| | MODEL | COLOUR | DESCRIPTION | BOX SIZE | GROSS WEIGHT | BOX QTY | BARCODE/TUN |
|-------------------|----------|--------|-------------------------------------|-----------------------|--------------|---------|-----------------------|
| RETAIL BOX | 21879/05 | White | Smart WiFi Droplet Camera | W97 x H180 x D75 mm | 0.18 kg | 1 pc | 9 312641 218791 > |
| INNER CTN | 21879/05 | White | Smart WiFi Droplet Camera | W335 x H280 x D230 mm | 0.40 kg | 2 pc | 19312641218798 |
| OUTER CTN | 21879/05 | White | Smart WiFi Droplet Camera | W335 x H280 x D230 mm | 2.20 kg | 10 pc | 29312641218795 |
| RETAIL BOX | 21880/05 | White | Smart WiFi Droplet Camera Twin Pack | W160 x H180 x D75 mm | 0.36 kg | 1 pc | 9 312641 218807 > |
| INNER CTN | 21880/05 | White | Smart WiFi Droplet Camera Twin Pack | W335 x H280 x D230 mm | 0.80 kg | 2 pc | 19312641218804 |
| OUTER CTN | 21880/05 | White | Smart WiFi Droplet Camera Twin Pack | W335 x H280 x D230 mm | 8.1 kg | 10 pc | 29312641218801 |