



EMERGENCY EXIT SELK1500EX3 - 2.8W

MAINTAINED - SELK1500EX3 Emergency Exit 24 metre viewing

Application

A perfect choice for apartments or commercial spaces

Design Specifications

- Compliant to AS/NZS 2293, emergency lighting with a viewing distance of 24 metres
- Polycarbonate body profile, IP20, integral 2.8 watt emergency control gear with long life Lithium battery technology
- Multi-directional decals included
- Versatile design to allow ceiling or wall mount installation, with quick connect removable decal housing.
- Guaranteed 90 minutes emergency function.
- Optional recessed mounting (SELK1500EX3RCP) and SELF-TEST systems available



Performance

- Dimmable - NO



Technical Specification

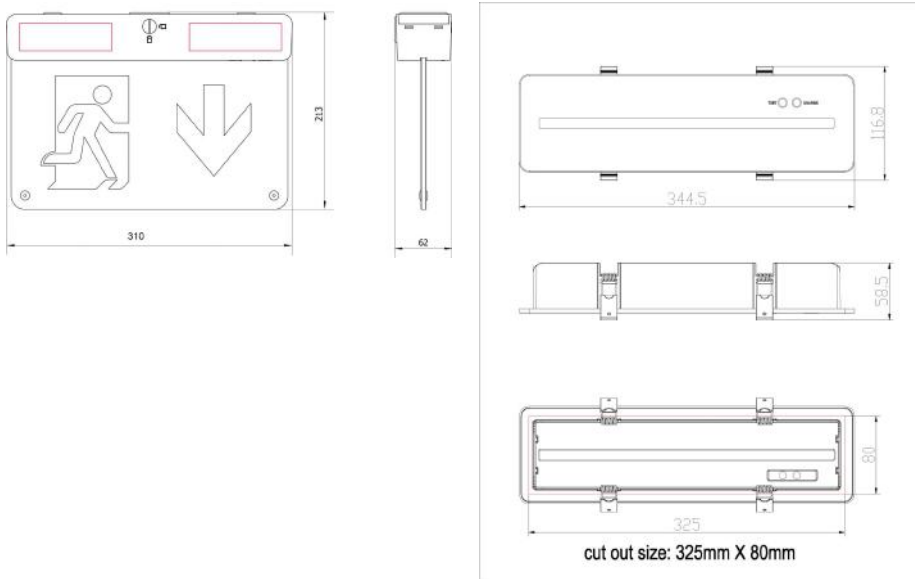
Product	Model No.	Input Voltage (V/AC)	Power (W)	CRI	Body Colour	Dim (mm)
	SELK1500EX3	240	2.8	80	WHITE	310(L) x 62(W) x 213(H)
	SELK1500EX3RCP/WH				WHITE	345(L) x 117(W) x 58(H)

Important notes: (1) Battery warranty twelve (12) months (2) In the interest of transport and safety, emergency products are supplied with the battery disconnected. (3) In addition to specific emergency commissioning instructions, the battery MUST be connected at the time of installation. (4) Continual use in emergency mode greater than 240 hours without recharge, will result in battery failure and void battery warranty.

Due to continued product and technology enhancements, data sourced from sal.net.au shall not form part of any contract and or technical performance guarantee unless expressly confirmed in writing by SAL at the

time of order. Products are sold in accordance with [SAL Terms and Conditions of sale](#) and all images shown are for illustration purposes only and may vary from the actual colour or finish. Unless specifically stated, all IP ratings nominated for Interior products are from "below the ceiling".

Dimensions





Blackwattle Bay NSW

Images courtesy of MKGS Construction & Paton Power

The difference between Non-maintained and Maintained Emergency Lighting? Non-Maintained lighting products are luminaires designed solely for emergency use and will only operate in an event where the mains supply power is interrupted. Maintained Emergency Lighting products are designed to be illuminated at all times, including an emergency event where the power is interrupted. Under both systems, the products must remain illuminated for a period of 90 minutes in accordance with AS/NZS2293 Emergency Lighting requirements.

