



## UFO SHB23MP TC - 80/200W

Multi-purpose, 1-10V dimmable IP65 LED highbay or lowbay with selectable CCT and power.

### Application

Versatile LED highbay or lowbay, ideal for commercial and industrial applications

### Design Specifications

- Integral selectable power
- Integral selectable CCT 3000K / 4000K / 5000K
- Robust, low profile die-cast aluminium IP65/IK08 body profile.
- High efficiency LED optics, with an impressive >140lm/W optical performance at 150W or 200W @ 4000K, CRI > 80, 90° degree beam distribution, polycarbonate lens
- Integral 1-10V dimmable LED driver, complete with flex and plug for easy installation, optional inline DALI signal converter, optional plug and play corridorSTANDBY sensor
- Power/lumen settings at:
  - 3000K** : 80W/11400lm, 120W/16000lm, 150W/18800lm,
  - 4000K** : 80W/12400lm, 120W/18000lm, 150W/21800lm,
  - 5000K** : 80W/11800lm, 120W/16500lm, 150W/20000lm.
  - 3000K** : 100W/13000lm, 150W/18000lm, 200W/22000lm,
  - 4000K** : 100W/14500lm, 150W/21000lm, 200W/26000lm,
  - 5000K** : 100W/14000lm, 150W/19500lm, 200W/24000lm.









### Performance

- Dimmable - **YES**
- Dimmer Type - **1-10V, optional SAL DALI signal converter**





## Technical Specification

Product	Model No.	Input Voltage (V/AC)	Multiple Wattage	Lumens (lm)	Beam Angle (°)	CCT (K)
	SHB23MP150TC	240	80/120/150	12400/18000/21800	90	3000/4000/5000
	SHB23MP200TC	240	100/150/200	14500/21000/26000	90	3000/4000/5000
	SHB23MP/CS					
	SHB25HES/RC					
	SHB23MP200PLB					
	LM-DALI010B					

CRI	Body Colour	Diameter (mm)	Dim (mm)	Mass (kg)	IPART
80	BLACK	280	280(W) x 192(H)	2.5	YES
80	BLACK	300	300(W) x 192(H)	2.8	YES
	CORRIDOR SENSOR				N/A
	REMOTE CONTROL				N/A
	BLACK				N/A
	DALI SIGNAL CONVERTER				N/A

Note: (1) 1-10V dimming does not provide 100% OFF dimming function.

Note: (2) Lumens (lm) shown are displayed at the **4000K 80/120/150W , 100/150/200W power settings**

Note: (3) Sensor default settings: Sensitivity=100%, Hold Time=30mins, StandBy power=30%, StandBy time 30mins, Daylight Threshold=disabled

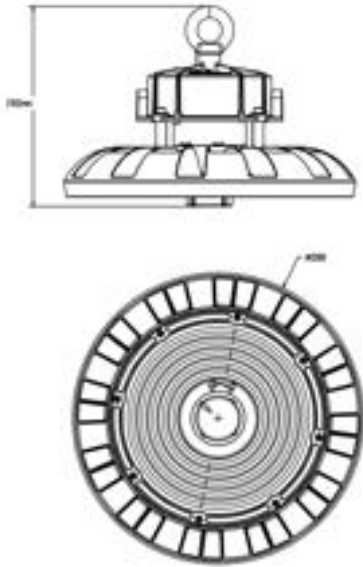
Note: (4) Sensor and dimming functions cannot be operated simultaneously.

Note: (5) Remote control and sensor function height max 10M.

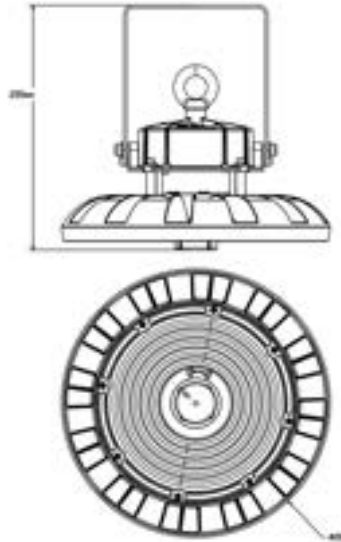
Due to continued product and technology enhancements, data sourced from sal.net.au shall not form part of any contract and or technical performance guarantee unless expressly confirmed in writing by SAL at the time of order. Products are sold in accordance with [SAL Terms and Conditions of sale](#) and all images shown are for illustration purposes only and may vary from the actual colour or finish. Unless specifically stated, all IP ratings nominated for Interior products are from "below the ceiling".

## Dimensions

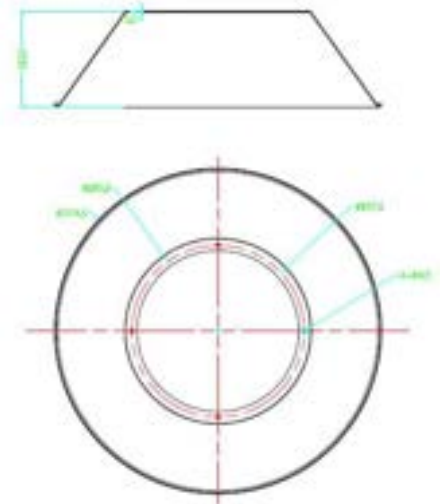
SHB23MP150TC

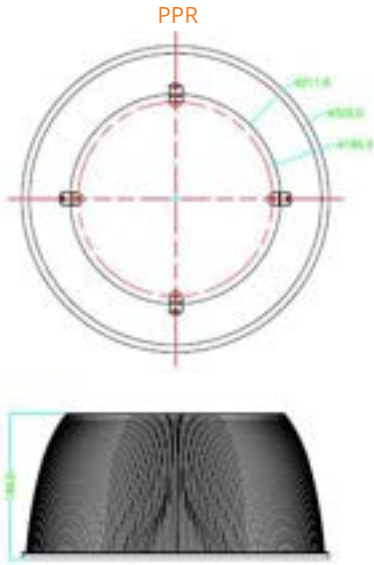


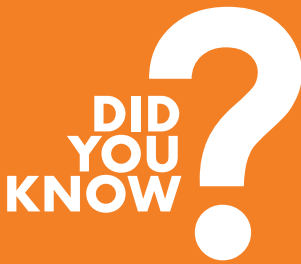
SHB23MP150TC WITH SHB23MP200PLB BRACKET



PMR







**DID YOU KNOW?**

In the interest of safety all Electrical products have design thermal limits to ensure that they function correctly within their intended environment. For Lighting products these limits are tested against a mandatory Australian Standard AS/NZS60598 and LED Highbays are no exception to this requirement, especially when the upper cavity of a warehouse space can exceed the ambient temperatures well in excess of 40 degree Celsius on a hot Summer day.

*So take the time to look out for the (ambient) rating of the highbay located on the rating label to ensure the price matches the performance.*

