



Universal analogue dimmer SDA450U

Universal, multi-function analogue dimmer

Application

Residential and commercial lighting control requirements

Design Specifications

- Multi-function trailing edge or leading edge analogue lighting load dimmer with soft start technology
- 240V, maximum load up to 300W, minimum 5W rating
- Fit most popular switch plates
- Designed with over-heating protection, compliant with AS/NZS 60669 2.1
- Designed for single or two-way circuits

Performance

Dimmable - YES

Dimmer Type - **Trailing edge & Leading edge**

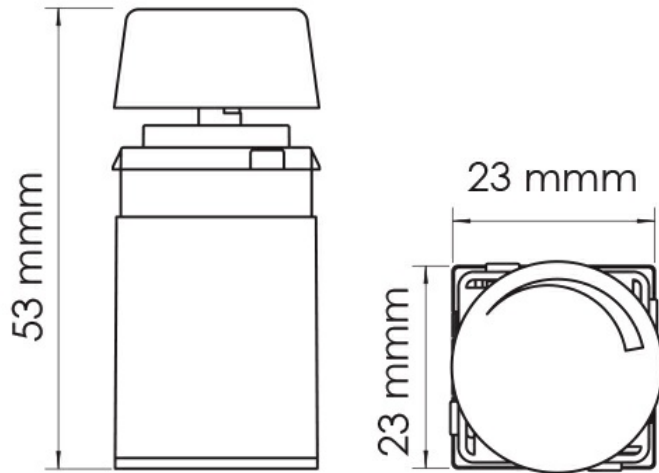


Technical Specification

Model No.	Description	Input Voltage (V/AC)	Dim (mm)	Body Colour
SDA450U	ANALOGUE UNIVERSAL ROTARY DIMMER 300W TE / LE	240	53(L) x 23(W) x 23(H)	WHITE

Due to continued product and technology enhancements, data sourced from sal.net.au shall not form part of any contract and or technical performance guarantee unless expressly confirmed in writing by SAL at the time of order. Products are sold in accordance with [SAL Terms and Conditions of sale](#) and all images shown are for illustration purposes only and may vary from the actual colour or finish. Unless specifically stated, all IP ratings nominated for Interior products are from "below the ceiling".

Dimensions



Wiring Diagram

