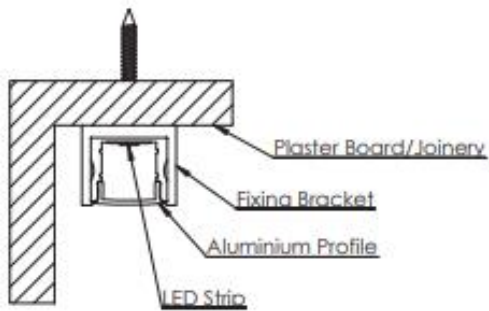
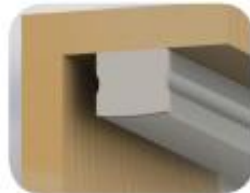
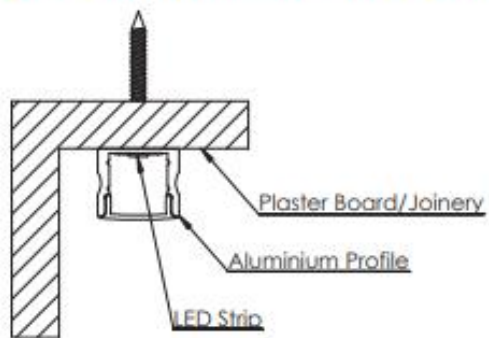


Installation Guide

A Mounting by fixing the mounting bracket then clip the extrusion onto the mounting bracket - *easiest*



B Mounting by drilling hole through the extrusion and fixing directly onto the wall - *most professional looking*



C Recessed Mounting by drilling hole through the extrusion and fixing directly onto the pre-made channel

