



## BUNKER 15 ROUND SENSOR SL7272 - 15W

LED 15 watt surface mount round shaped bunker, IP54 with PIR sensor

### Application

A robust solution for residential and apartment interior or exterior covered eave utility spaces

### Design Specifications

- Durable UV resistant white or black polycarbonate body, opal polycarbonate diffuser
- Integral control gear, 15 watt with PIR sensor control, fixed 30 seconds ON
- Max. 7 metres detection distance
- CRI > 80, 1050lm
- Quick connect installation design
- Robust IK08 protection



COOL WHITE  
4000K

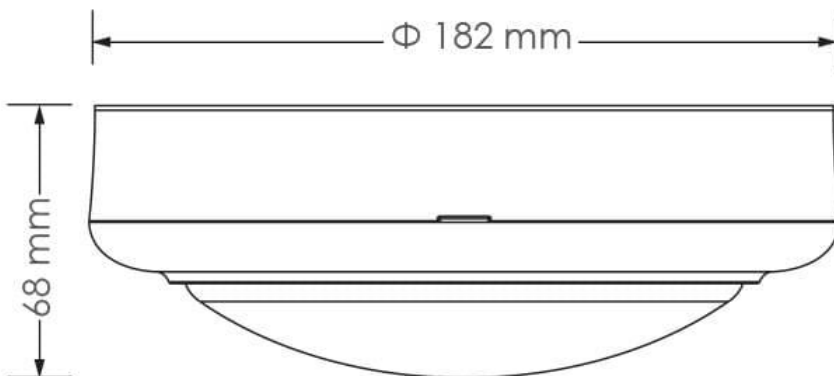
### Technical Specification

Model No.	Input Voltage (V/AC)	Power (W)	Lumens (lm)	CCT (K)	CRI	Beam Angle (°)
SL7272CW/WH/S	240	15	1050	4000	80	110
SL7272CW/BK/S	240	15	1050	4000	80	110

Body Colour	Dim (mm)
WHITE	182(W) x 68(H)
BLACK	182(W) x 68(H)

Due to continued product and technology enhancements, data sourced from sal.net.au shall not form part of any contract and or technical performance guarantee unless expressly confirmed in writing by SAL at the time of order. Products are sold in accordance with [SAL Terms and Conditions of sale](#) and all images shown are for illustration purposes only and may vary from the actual colour or finish. Unless specifically stated, all IP ratings nominated for Interior products are from "below the ceiling".

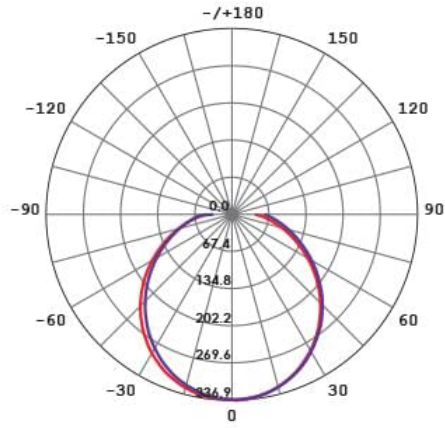
### Dimensions



## Photometric Data

Unit: cd C0/C180 \_\_\_\_\_ C90/C270 \_\_\_\_\_

### SL7272CW/WH/S at 4000K



## Product Images

