



## 12V LV RGB LED STRIP FLP12V5MRGB-6W/M

A creative 12V, 5m RGB weatherproof LED flexible strip kit

### Application

Decorative residential features, bar areas, kitchens and stairs

### Design Specifications

- Silicon covered 12V weatherproof LED flexible strip with 3M self adhesive tape
- Plug and play ready to use
- 5m length, cuttable every 100mm at designated cut lines. NOTE: when cutting LED strips, it is always important to calculate the remaining LED load to reconfirm its compatibility with the existing driver, as driver changes may be required with moderate reduction in loads.
- Multi-function remote controller included
- 6W/m, 115 degree beam distribution, led quantity 30/m
- IP44 weatherproof strip, IP20 flex and plug and driver



### Performance

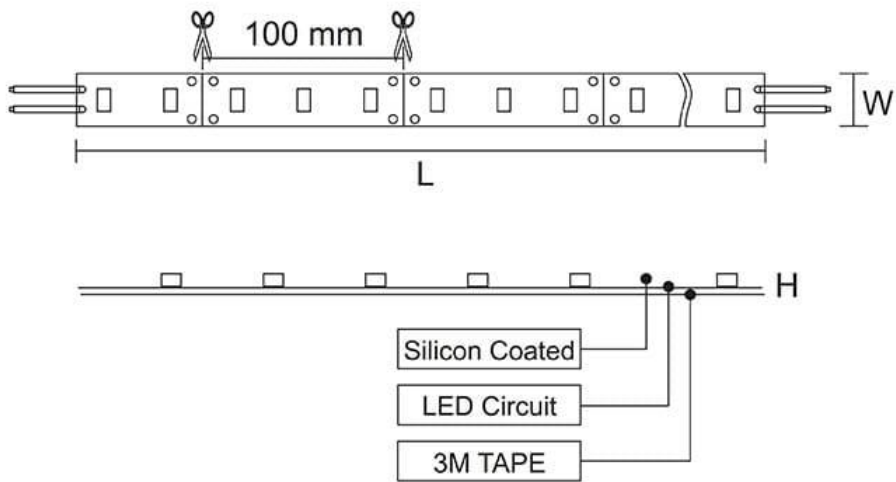
- Dimmable - **YES**
- Dimmer Type - **LED controller**

## Technical Specification

<b>Model No.</b>
<b>FLP12V5M/RGB</b>

Due to continued product and technology enhancements, data sourced from sal.net.au shall not form part of any contract and or technical performance guarantee unless expressly confirmed in writing by SAL at the time of order. Products are sold in accordance with [SAL Terms and Conditions of sale](#) and all images shown are for illustration purposes only and may vary from the actual colour or finish. Unless specifically stated, all IP ratings nominated for Interior products are from "below the ceiling".

## Dimensions



## Product Images

