



TRADEGEM S9140TC - 9W

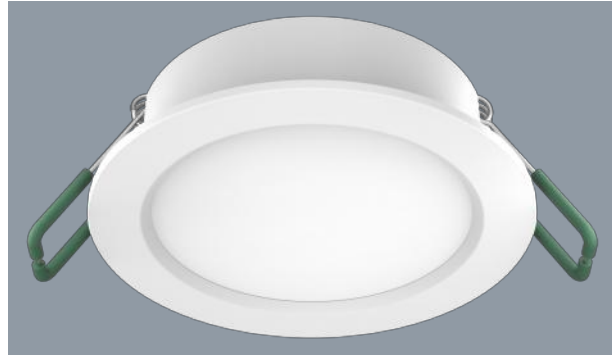
Dimmable IP44, 9 watt LED downlight with selectable colour temperature

Application

Ideal for any residential or commercial interior space

Design Specifications

- Easy selectable colour temperature with an inbuilt DIP switch, 3000K/4000K/5700K
- Durable extruded aluminium surface mount body profile, IC-F rated
- Stylish white powder coat finish, Deco ring options available - Satin Nickel (S9140SN/RING)
- Quality opal polycarbonate diffuser
- High efficiency SMD LED chips
- Remote constant current trailing edge dimmable LED driver, with flex and plug



Performance

- Dimmable - **YES**
- Dimmer Type - **Trailing edge, optional 1-10V, DALI / DSI**

Technical Specification

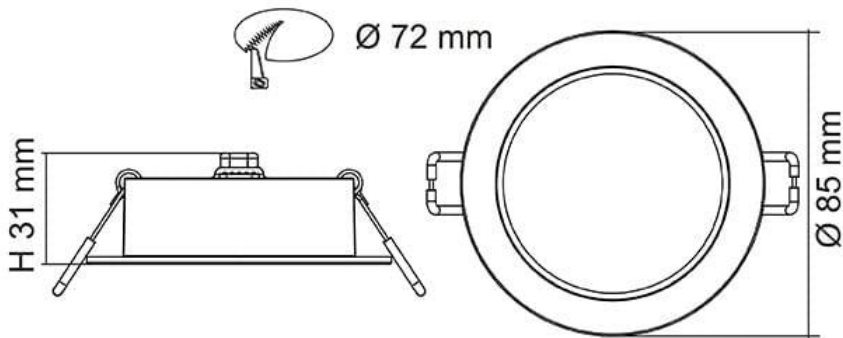
Model No.	Input Voltage (V/AC)	Power (W)	Lumens (lm)	CCT (K)	Beam Angle (°)	Dimmable
S9140TC/WH	240	9	650/700/700	3000/4000/5700	90	YES
CRI	Body Colour		Dim (mm)			
80	WHITE		85(W) x 31(H)			

Due to continued product and technology enhancements, data sourced from sal.net.au shall not form part of any contract and or technical performance guarantee unless expressly confirmed in writing by SAL at the time of order. Products are sold in accordance with [SAL Terms and Conditions of sale](#) and all images shown are for illustration purposes only and may vary from the actual colour or finish. Unless specifically stated, all IP ratings nominated for Interior products are from "below the ceiling".



Dimensions

S9140TC





Photometric Data

Unit: cd C0/C180 _____ C90/C270 _____

S9140TC at 3000K

