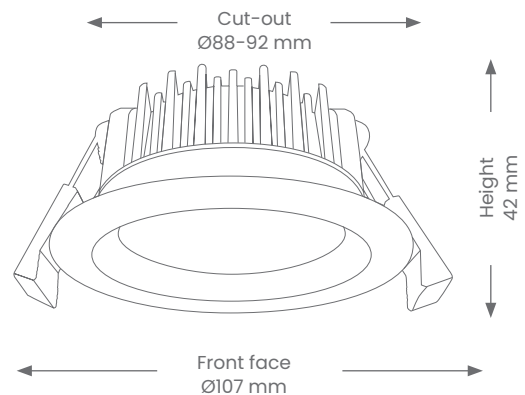


## GeoLED Downlights

GEO12 – CRI 80 – TRICOLOUR TEMPERATURE





Product Codes: ICDLR12WCCT-WH/SL/BLK/BCH



### Product Features

- 12W Fixed Recessed Downlight
- Dimmable, with compatible dimmer
- Tricolour suitable
- Suitable for residential or commercial in either interior or covered exterior installations.
- Lifespan – 54,000 hours(L70)
- Removable driver

### Materials & Finish

- **Material**
  - Aluminium, corrosion resistant A6063 alloy
  - Lens - Opaque PMMA diffuser
- **LED Type**
  - Integrated SMD LED
- **Shape**
  - Round
- **Colour**
  -  White  Silver
  -  Black  Brushed Chrome

### Specifications

- **Switching Capacity** – 30,000
- **Triac Dimmable**
- **Rating** – IC-F/IC-4
- **Power**
  - Voltage – 230V
  - Driver – coverable driver
  - Power Factor – > 0.9
  - Wattage – 12W(including the driver)
  - Max ambient operating temperature: +45°C
- **Light Output**
  - Lumens – 1020lm (3000K) | 1060lm (4000K) | 1040lm (6500K)
  - Colour Temperature – 3000K | 4000K | 6500K
  - CRI – >80(CRI90 models available)

### Installation

- **Mounting** – Recessed
- \*HCB: 0mm | \*SCB: 0mm | Height of fitting: 42mm

Note:  
\*HCB(Height Clearance to Building) and SCB(Side Clearance to Building) clearances of 0mm does not mean that you can drill a hole in solid concrete or wood and install downlight. You must always allow for heat dissipation. Do not install closer than 500mm to illuminated surface. Please refer to instruction sheet for more details.

Eurotech Lighting  
11 Westward Ho Road,  
Glen Eden, Auckland, New Zealand

info@eurotechlighting.co.nz  
eurotechlighting.co.nz  
09 818 6039